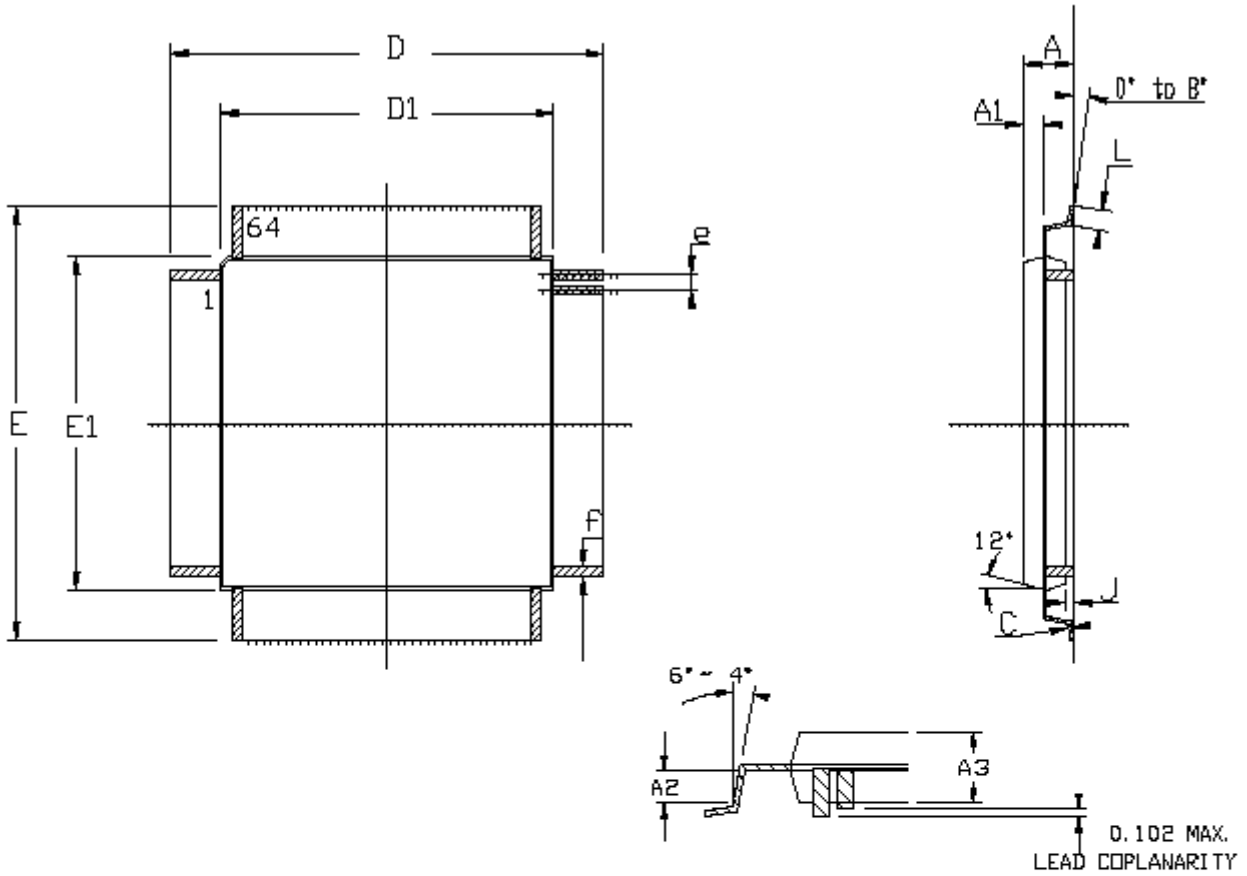


AT89C51xD2 wiring scheme for 40/48 pin DIL to VQFP64.

GALEP DIL40	Adapter VQFP64	Pin name
1	10	P1.0
2	12	P1.1
3	13	P1.2
4	14	P1.3
5	16	P1.4
6	18	P1.5
7	19	P1.6
8	20	P1.7
9	21	RST
10	25	P3.0
11	28	P3.1
12	29	P3.2
13	30	P3.3
14	31	P3.4
15	32	P3.5
16	34	P3.6
17	36	P3.7
18	37	XTAL2
19	38	XTAL1
20	40	VSS
21	43	P2.0
22	44	P2.1
23	45	P2.2
24	47	P2.3
25	48	P2.4
26	50	P2.5
27	53	P2.6
28	54	P2.7
29	55	PSEN
30	56	ALE/PROG
31	58	EA
32	59	P0.7
33	60	P0.6
34	61	P0.5
35	64	P0.4
36	2	P0.3
37	3	P0.2
38	5	P0.1
39	6	P0.0
40	8	VCC

VQFP64

SQUARE GULL WING (1.4 mm)



	MM		INCH	
	Min	Max	Min	Max
A	-	1.60	-	.063
A1	0.64 REF		.025 REF	
A2	0.64 REF		.025 REF	
A3	1.35	1.45	.053	.057
D	11.75	12.25	.463	.483
D1	9.90	10.10	.390	.398
E	11.75	12.25	.463	.483
E1	9.90	10.10	.390	.398
J	0.05	-	.002	-
L	0.45	0.75	.018	.030
e	0.50 BSC		.0197 BSC	
f	0.25 BSC		.010 BSC	